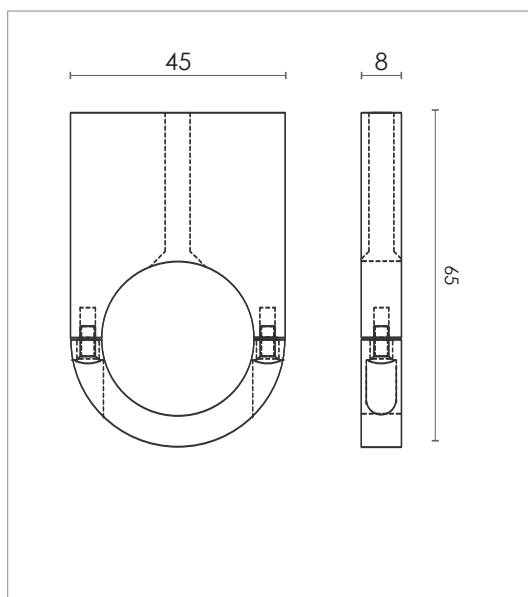


CEILING / WALL BRACKET

LONG JOHN / LONG LORD

DESIGN SPECIFICATIONS

DIMENSIONS (mm)	H 65 x W 45 x D 8
WEIGHT (kg)	0,3
MATERIALS	CLEAR LAQURED STEEL OR POWDER COATED STEEL
CORD (mm)	NO
ENVIRONMENT	INDOOR
DESIGN BY	NICLAS HOFLIN
DESIGN YEAR	2019



COLOURS



BLACK

ART.NO. 470925005



BRASS

ART.NO. 470925001



STEEL

ART.NO. 470925500



BRONZE-COLOR

ART.NO. 470925223

Rubn.